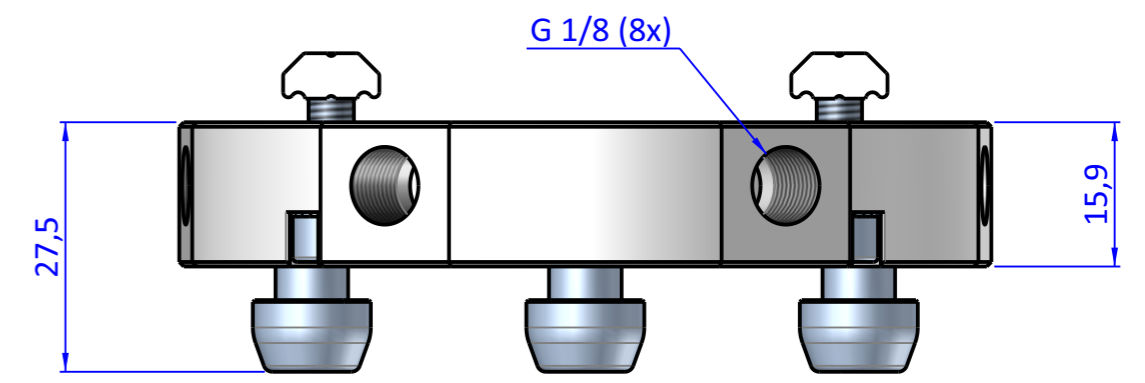
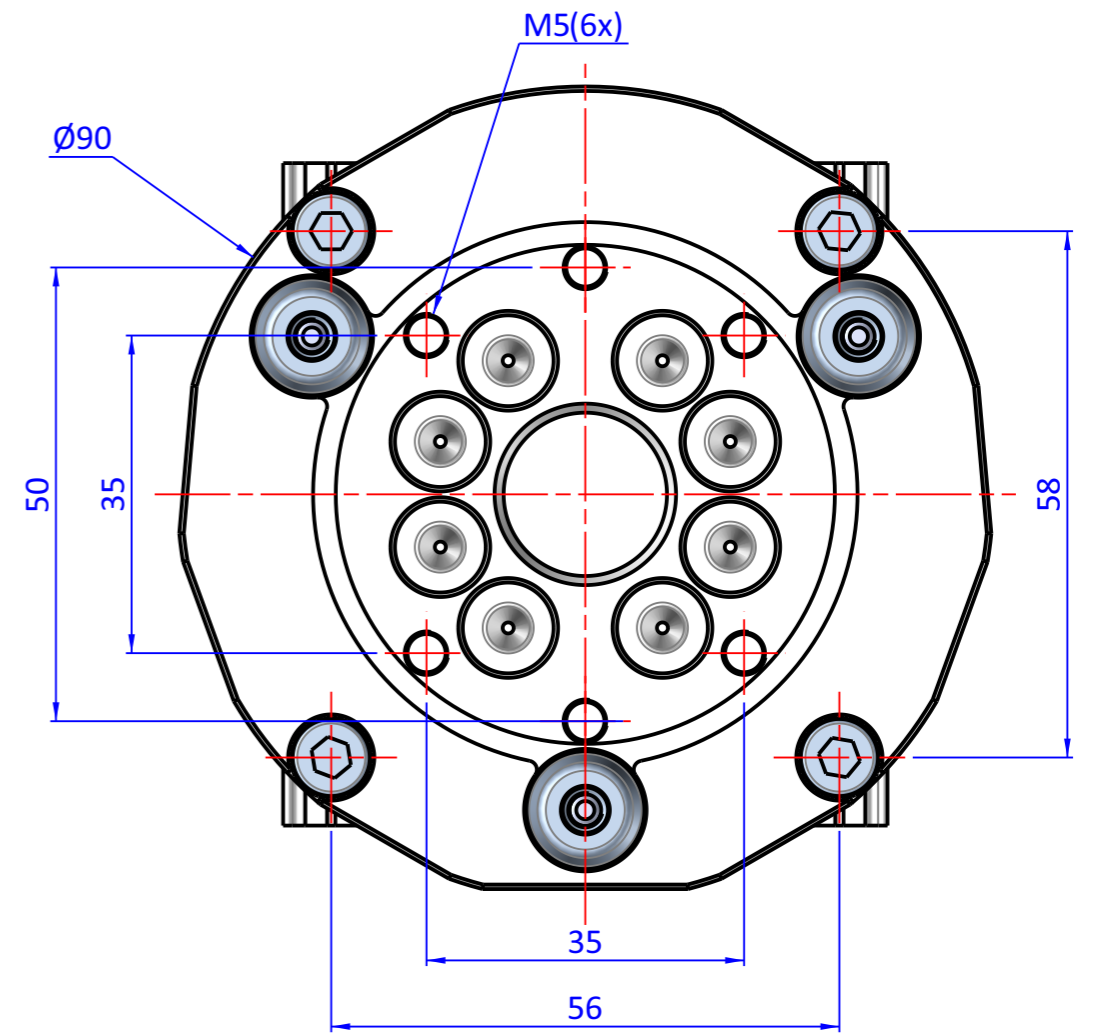
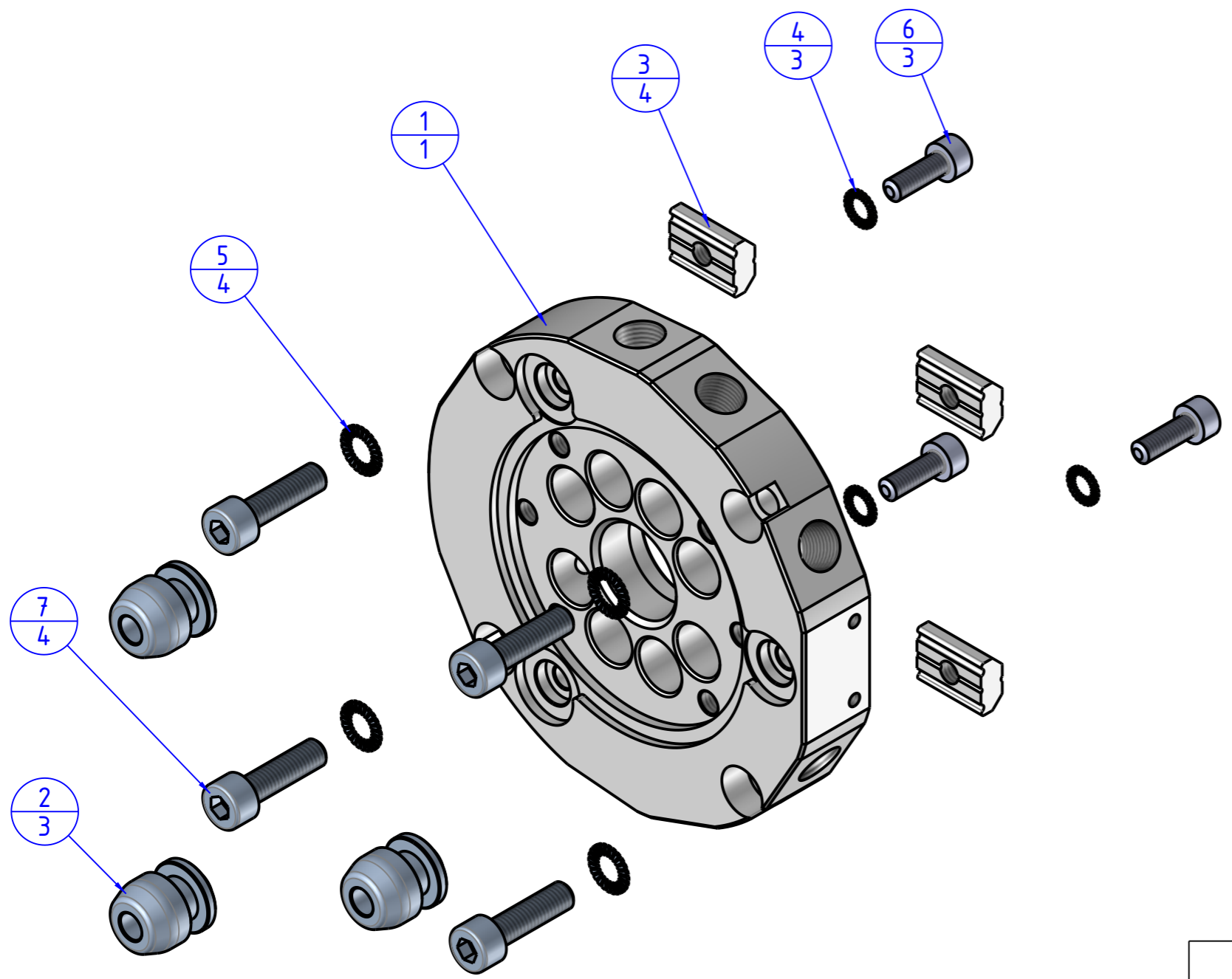



Item	Name	Q.ty
1	01.01.002.01	1
2	01.01.002.02	3
3	CA.GWP.5U	4
4	R.4.SCH	3
5	R.5.SCH	4
6	V.TCE4x12	3
7	V.TCE5x18	4



THE PROPERTY OF THE DRAWING IS ESTABLISHED BY LAW. IT IS FORBIDDEN TO PRODUCE OR SHOW IT TO THIRD PART, WITHOUT A WRITTEN AGREEMENT.

Format A3
UNI 936-76

 FPS FPSERVICES AUTOMATION		DESIGNED FROM		REVIEW
		FPS Automation		A
GENERAL TOLERANCE		DATE	WEIGHT	
UNI - ISO 2768		14/11/2023	0,260kg	
CLASSE f		DESCRIPTION	CODE	
		CA.01.01.002	CA.01.01.002	